



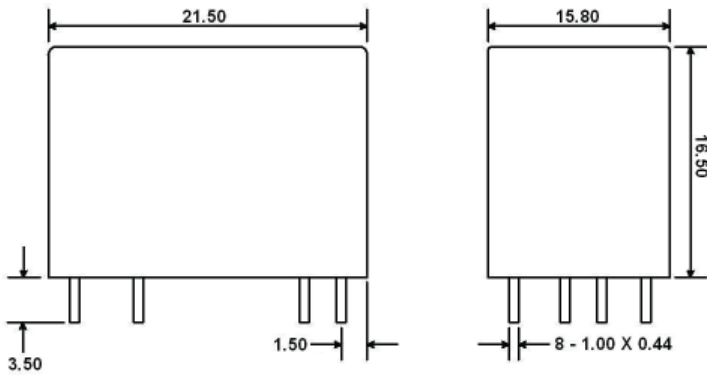
# J098

## Ordering Information

1. Series	J098	2C	S	3VDC	.60
J098					
2. Contact Arrangement					
2A = DPST N.O.					
2B = DPST N.C.					
2C = DPDT					
3. Sealing Options					
S = Sealed					
4. Coil Voltage					
3VDC					
6VDC					
9VDC					
12VDC					
24VDC					
48VDC					
5. Coil Power					
.60 = .60W					

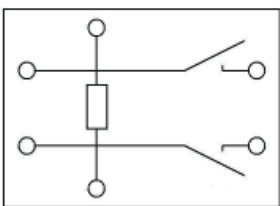
## Dimensions

Units = mm

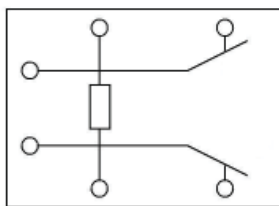


## Schematics & PC Layouts

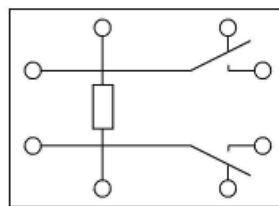
Bottom Views



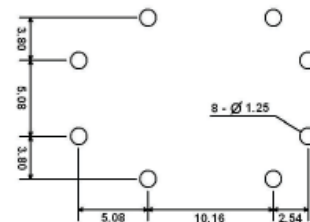
2A



2B



2C



Dimensions shown in mm. Dimensions are shown for reference purposes only.

Specifications and availability subject to change without notice.